

OPERATING PERFORMANCE

Operating Weight - Canopy	3,395 kg
Cab	3,530 kg
Tipping Load	2,390 kg
Rated Operating Capacity, (ISO 14397-1)*	835 kg
Operating Load at 50% of Tipping Load	1,195 kg
Bucket Breakout Force	26.4 kN
Lift Arm Breakout Force	21.6 kN
Traction Force	38.5 kN
Ground Pressure - Canopy	33.5 kPa
Ground Pressure - Cab	34.8 kPa
Travel speed - Low	7.0 km/h
High	10.0 km/h

*Operating capacity of track loaders is rated according to ISO 14397-1 at no more than 35% of the tipping load.

HYDRAULIC SYSTEM

Auxiliary Flow - Primary Circuit	67.0 L/min
Hydraulic System Pressure	20.6 MPa

ENGINE

Make / Model	Kubota / V2403
Engine Displacement	2,434 ml
Rated Output (ISO 14396)	47.9 kW / 2,700 min-1
Maximum Torque	195.6 Nm / 1,600 min-1

FLUID CAPACITIES

Engine Lubrication	7.6 L
Cooling System	13.0 L
Fuel Tank Capacity	75.7 L
Hydraulic Reservoir Capacity	30.0 L
Hydraulic System Capacity	51.0 L

SAFETY AND HEALTH

Vibration Levels	
Hand / Arm	$\leq 2.5 \text{ m/s}^2$
Body	$\leq 0.5 \text{ m/s}^2$
Noise Level	
Sound Power Level	LWA 103 dB



Multi-Informational Display



Hydraulic Joystick Controls

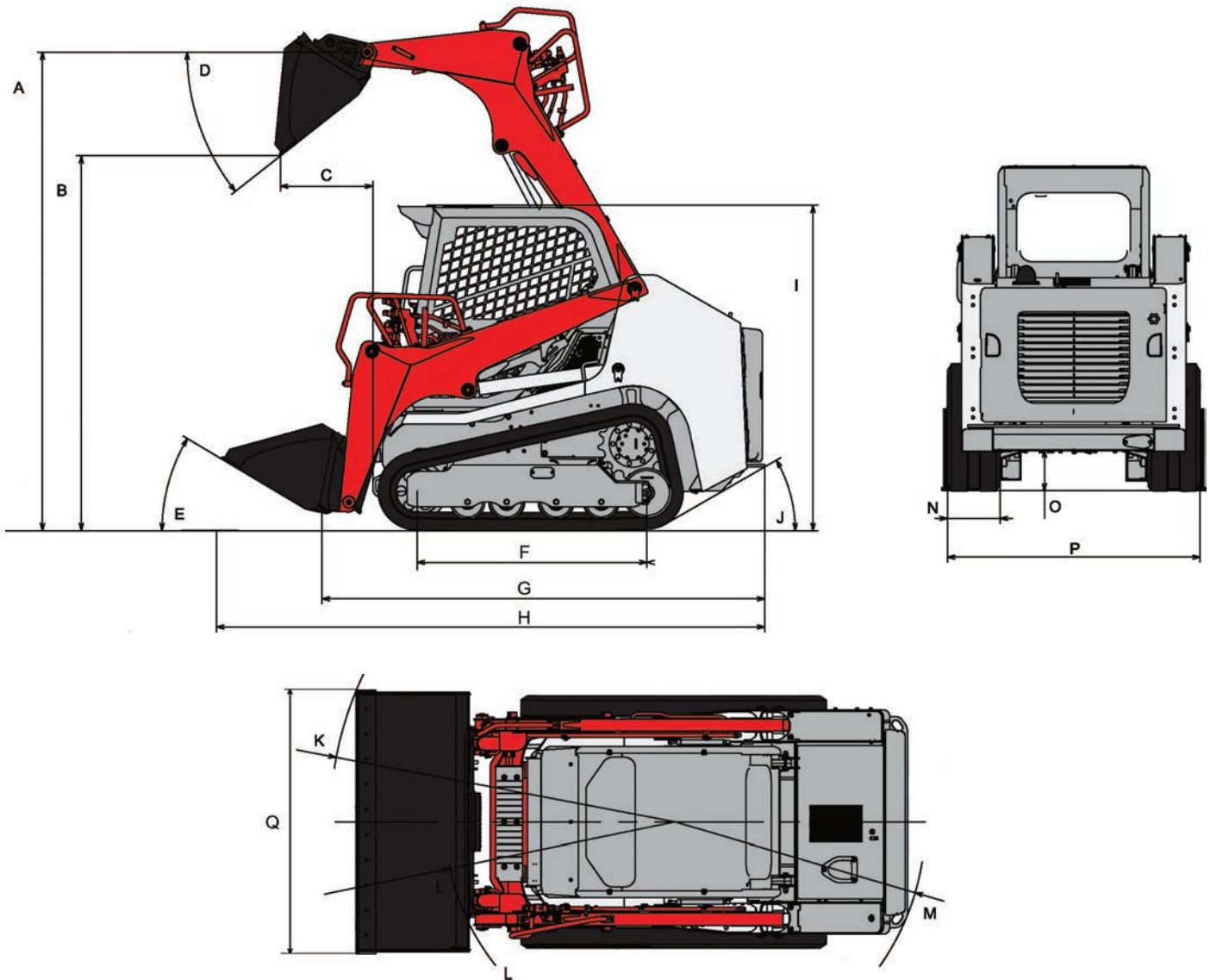


Switch Bank



Large Rear View Mirror

TL6R Compact Track Loader



MACHINE DIMENSIONS

A	Maximum Lift Height to Bucket Pin	2,905 mm
B	Dump Height Fully Raised	2,275 mm
C	Dump Reach Fully Raised	560 mm
D	Dump Angle	40°
E	Rollback Angle	30°
F	Track Base	1,395 mm
G	Machine Length	2,690 mm
H	Transport Length	3,330 mm
I	Transport Height	1,975 mm
J	Departure Angle	30°
K	Clearance Circle with Bucket	2,095 mm
L	Clearance Circle without Bucket	1,395 mm
M	Clearance Circle Rear	1,520 mm
N	Track Width	320 mm
O	Ground Clearance	230 mm
P	Overall Width without Bucket	1,530 mm
Q	Bucket Width	1,600 mm